

**GAGGIA**  
MILANO

# LA REALE

Designed by the Light

**EVOCA**  
GROUP

## INTRODUCING LA REALE

- The Gaggia Milano brand is almost synonymous with espresso
- Since 1938, the continuous search for excellence and state-of-the-art technology for best-in-class coffee has remained our mission



## THE NEXT CHAPTER FOR GAGGIA MILANO

- La Reale is the next chapter in this continually evolving history
- A stunning design that is shaped by and reflects light, but which doesn't require users to choose between style and quality



# CUTTING EDGE DESIGN

*la Reale*



# DESIGN FEATURES

Painted metal

Tempered glass

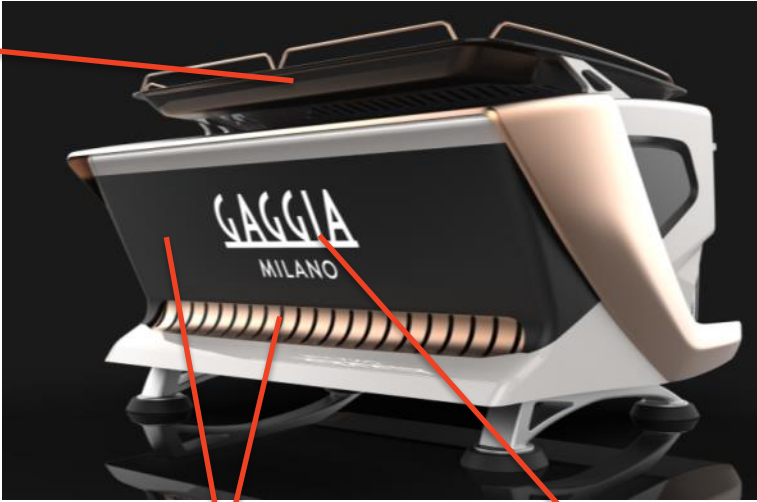
Painted metal cup shelf



Carbon fibre skin

Stainless Steel

Aluminium



Painted metal

Back lit logo

## DUAL USER INTERFACE

- Dual interface:
  - Touch screen for programming
  - Push buttons for fast BARISTA operations



## SIMPLE BARISTA OPERATIONS

- 3.5" touch screen for programming doses, temperatures, energy saving mode
- 3 push buttons
  - Short coffee dose
  - Long/double coffee dose
  - Start/Stop button (or pre-dosage)



## DESIGNED WITH THE BARISTA IN MIND

- An angled display
- LED illuminated working area
- Easy to move steam activation levers
- Angled filter holder handle





## DYNAMIC FLOW CONTROL

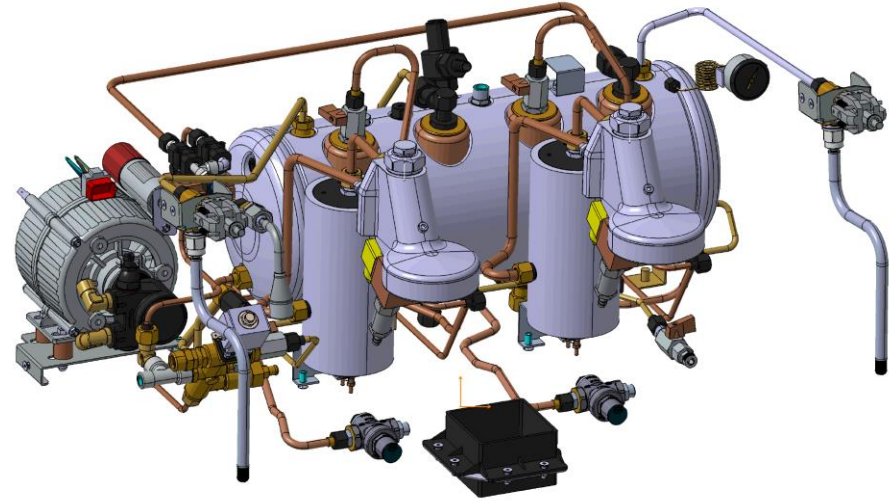
- DFC\* (Dynamic Flow Control) allows different flow rate settings for coffee extraction
- Changing extraction variables such as colour, body, acidity and bitterness results in different tastes from the same blend

\* optional version



## HIGH PERFORMING WATER BOILERS

- Independent 0.8L boilers with preheated inlet water offers high temperature stability
- Dual Pre-infusion System (programmable time and adjustable pressure ~1-3 bar)



## STEAM CONTROL

- 11L boiler (2 GR) to give the highest steam throughput
- Temperature sensor control is programmable through the display
- Warm to touch steam wands



## HOT WATER CONTROL

- Drinkable “fresh” hot water (hot water not coming from the main boiler)
- Possibility to set different temperatures for hot water
- 2 programmable hot water buttons



## STYLISH & SOPHISTICATED WORKING AREA

- Back-lit LED working area
- USB port: display customised images
- Energy saving features:
  - ECO mode: LED off, pressure decrease etc
  - Insulated boilers



## MULTIPLE CUP AND DRINK SIZES

- Electrical cup warmer: 3 heating levels
- Accommodates tall cups: espresso cup tray or 10-12 ounce cups (10.5cm)
- 21 grams (approx.) filter holders available as kit



## MODELS AVAILABLE

- Versions:
  - Standard: Independent Boilers + Dual Pre-infusion System
  - Optional: DFC
- Colours: White Or Grey
- Range: 2 Or 3 Groups



Code	Description
9S0300	2 Groups, White
9S0301	2 Groups, Grey
9S0325	2 Groups, White, DFC
9S0326	2 Groups, Grey, DFC
9S0350	3 Groups, White
9S0351	3 Groups, Grey
9S0375	3 Groups, White, DFC
9S0376	3 Groups, Grey, DFC

## INCLUDED ACCESSORIES

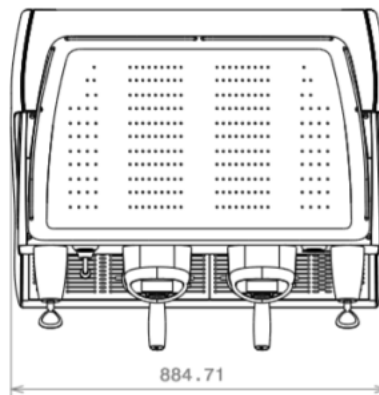
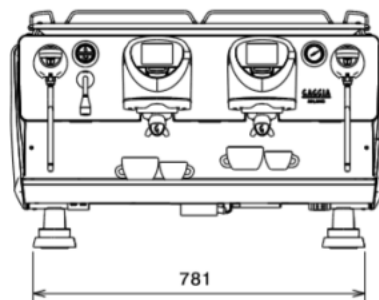
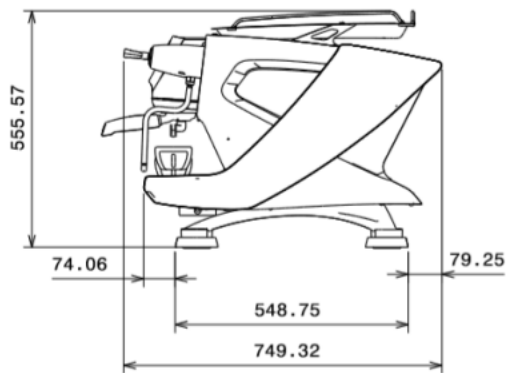
- Included accessories (2 group machines):
  - 3 Filter-holders
  - Branded «Competition» filters (calibrated holes and electro-polishing)
  - Branded tamper





# DIMENSIONS

*la Reale*



**GAGGIA**  
MILANO

**THANK YOU**

*Gaggia is a trademark used under licence from Gaggia SpA*

**EVOC**A  
G R O U P